



# SENTRY XP SERIES

## HIGH PRESSURE STAINLESS STEEL

INNOVATIONS IN EXTREME PULSATION DAMPENING FOR EXTREME APPLICATIONS.



Shown with optional gauge assembly.

### EXTREME PRESSURE

SENTRY XP dampeners in 316L Stainless Steel with pressure ratings to 15,000 psi (1,034 bar) and optional pressure gauge are ideally suited for metering and dosing applications typical in the oil and gas industry.



### AGGRESSIVE FLUIDS

With excellent chemical and thermal resistance, our patented PTFE Bellows design offers excellent flex life, compatibility with virtually all chemicals and solvents, and can withstand temperatures up to 220°F (104°C). Pressure rating to 5,000 psi (345 bar).



### HIGH FREQUENCY

Our newest XPH dampeners with a flow-through design are specifically designed to remove high frequency pulses greater than 15 Hz in addition to low frequency pulses. Removes hydraulic and acoustic pulses.



## ABOUT

### XPH High Frequency Dampeners

Blacoh's newest SENTRY XPH high pressure stainless steel pulsation dampener with a flow-through inlet is specifically designed to remove high frequency pulses greater than 15 Hz, as well as low frequency pulses. The XPH dampener's unique design allows it to effectively remove both hydraulic pulses and acoustic pulses, and with a properly sized XPH unit, residual pulsation of less than 1% can be achieved. In high performance applications where it is desirable to obtain exceptionally smooth pressure and flow, an XPH series dampener is the preferred choice.



Corrosion resistant 316L Stainless Steel solid shell with positive seal threaded cap in 8, 12 and 24 cu inches (0.13, 0.20 and 0.39 L).



Choose from elastomer bladders in BUNA-N, EPDM and VITON or, our patented PTFE Bellows.\*



1/2" FNPT and BSP threaded and flow-through inlets, 9/16" autoclave, ANSI class flanges, or DIN flanges.



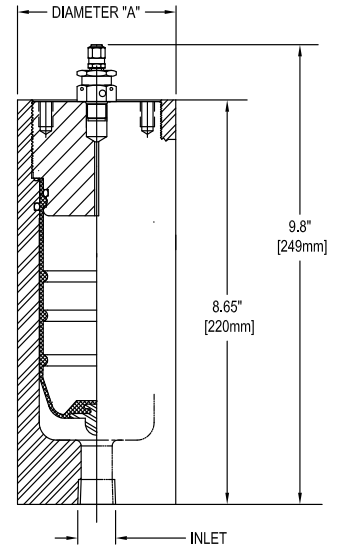
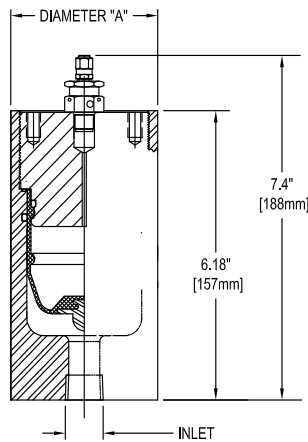
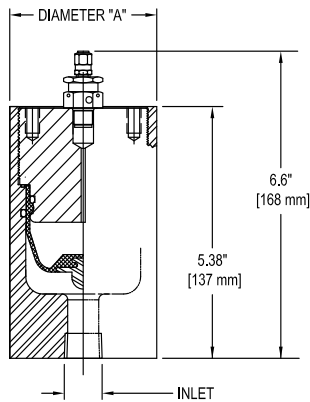
ATEX specific models conforming to EU directives, and CRN for Canadian provinces.

\*US D675,721S

## XP 8 CUBIC IN (.13L)

## XP 12 CUBIC IN (.20L)

## XP 24 CUBIC IN (.39L)



	XPA	XPH	XPX
<b>Material of Construction</b>	316L Stainless Steel		
<b>Elastomeric Bladders</b>	BUNA-N, EPDM, VITON		
<b>PTFE Bellows</b>	12 and 24 cubic inch models		
<b>CRN</b>	ATEX and CRN models available		
<b>Inlet Style</b>	<u>Bottom:</u> 1/2" NPT 1/2" BSP Flange	<u>Flow-Through:</u> 1/2" NPT 1/2" BSP	<u>Bottom:</u> 1/2" NPT 1/2" BSP Flange 9/16" Autoclave
<b>Pressure Ratings</b>	Up to 7,500 PSI		Up to 15,000 PSI
<b>Diameter "A"</b> <i>Varying Upon Pressure Rating</i>	Starting at 3.25"		Starting at 5.0"

### PTFE BELLOWS

Also available with PTFE Bellows up to 5,000 PSI (345 bar). High pressure, highly aggressive fluid and high temperature? No problem. With excellent chemical and thermal resistance, our PTFE bellows have an excellent flex life, are compatible with virtually all chemicals and solvents, and can withstand temperatures up to 220°F (104°C).



Part of the  
**BLACOH™**  
 FLUID CONTROL  
 family of products

